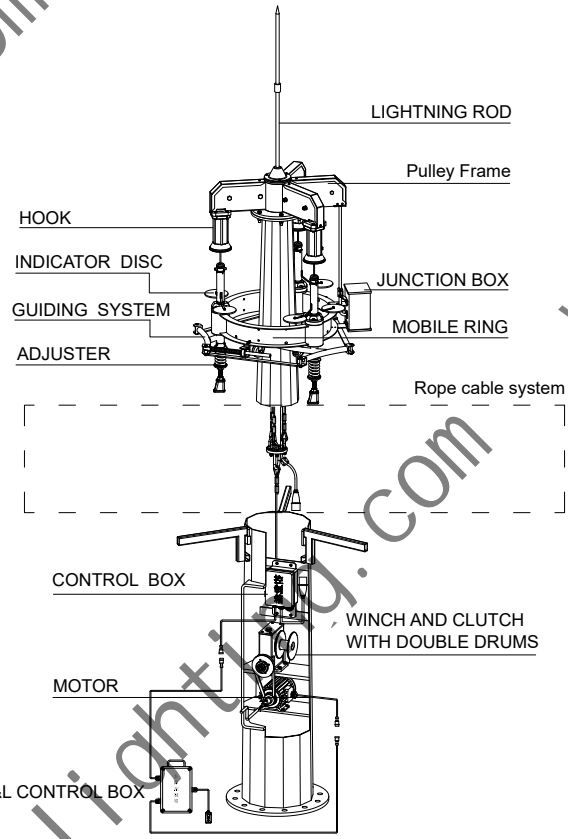
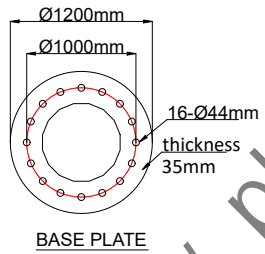
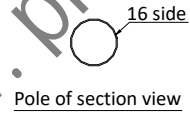
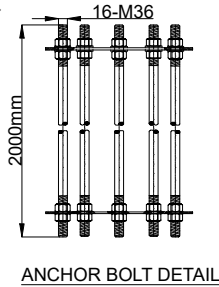
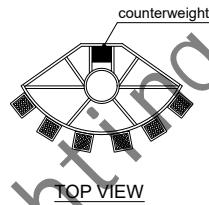


- 1、Material: steel Q235
- 2、Hot-dip galvanized not less than 86um
- 3、Powder coated thickness not less than 60um, color is customized.



Yangzhou Phoebus Outdoor Lighting Co.,ltd		
Mob		30M Pole
E-mail		
Web		
Whatsapp		
CHECKED BY		

