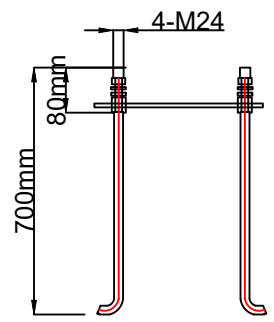
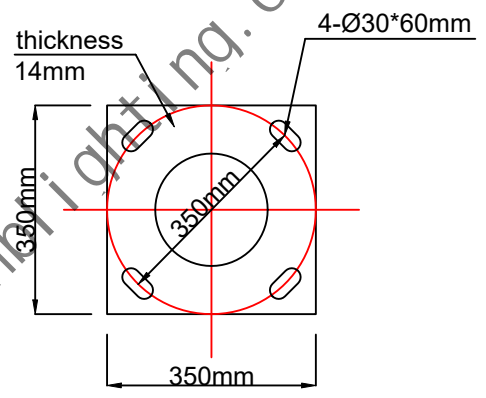



- 1、Material: steel Q235B
- 2、Hot dip galvanized not less than 86um
- 3、Powder coated thickness not less than 60um, color is customized.



ANCHOR BOLT DETAIL



BASE PLATE

NO.		PROJECT TEAM		10M Pole
DESIGNED BY		PROJECT NUMBER		
DRAWN BY		REVISION(S)		
CHECKED BY		DATE		