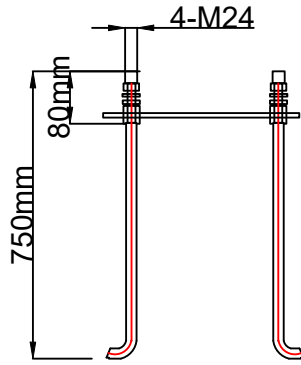
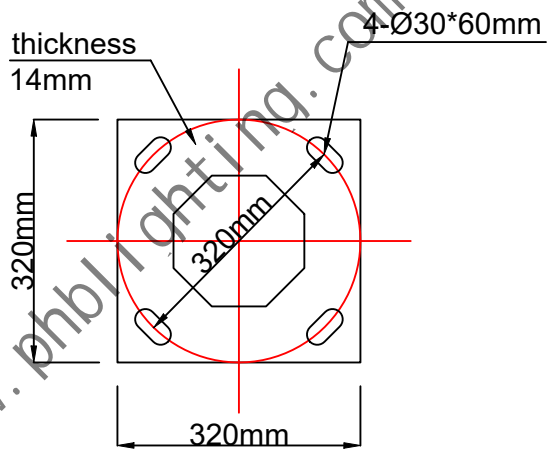
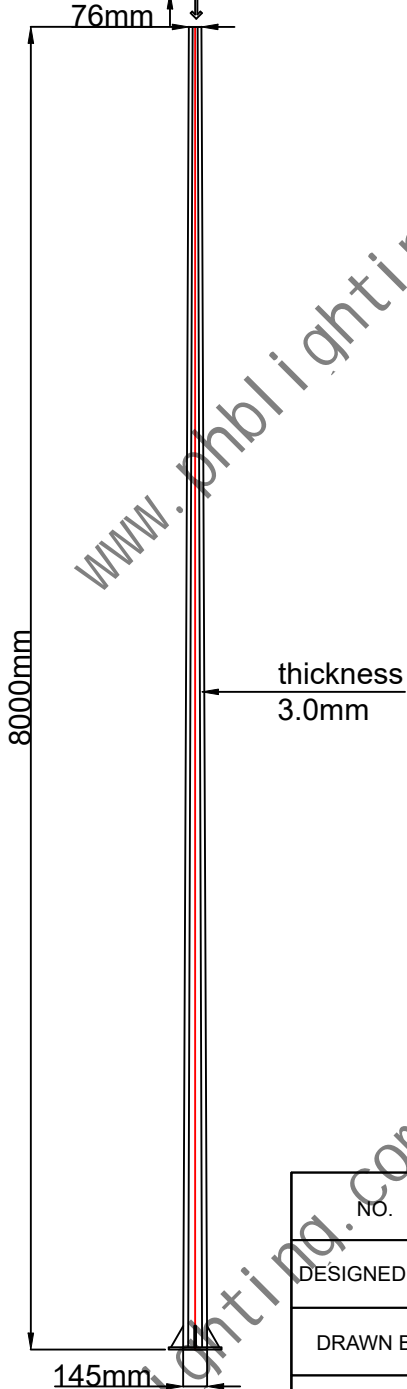


- 1、 Material: steel Q235B
- 2、 Hot-dip galvanized
- 3、 Powder coated ,color is customized.



ANCHOR BOLT DETAIL



BASE PLATE

NO.		PROJECT TEAM		8M Pole
DESIGNED BY		PROJECT NUMBER		
DRAWN BY		REVISION(S)		
CHECKED BY		DATE		