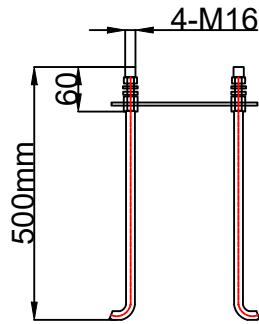
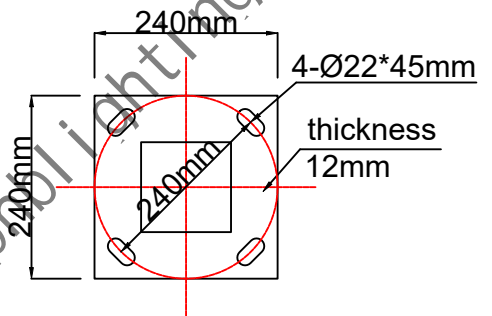



- 1、Material: steel Q235B
- 2、Hot-dip galvanized And Powder coated. color is customized.



ANCHOR BOLT DETAIL



BASE PLATE

NO.	PROJECT TEAM		20ft Pole
DESIGNED BY	PROJECT NUMBER		
DRAWN BY	REVISION(S)		
CHECKED BY	DATE		